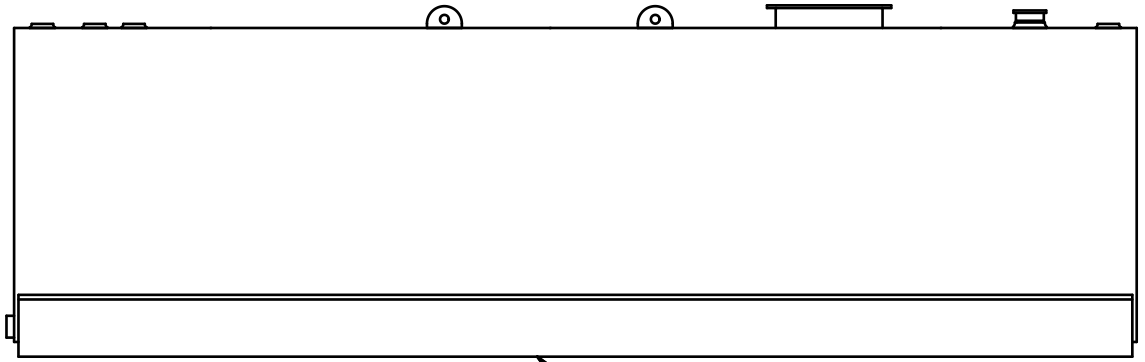
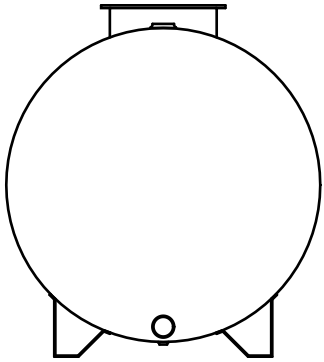


ABOVEGROUND HORIZONTAL SINGLE WALL SUPPORT MOUNTED TANKS



RAIL SUPPORTS SHOWN

GALLONS	DIAMETER	LENGTH	WEIGHT	SUPPORTS
500	46"	6'-0"	524#	RAIL SUPPORT
1,000	46"	12'-0"	1,225#	RAIL SUPPORT
2,000	72"	10'-0"	2,505#	RAIL SUPPORT
3,000	72"	15'-0"	3,409#	RAIL SUPPORT
4,000	72"	20'-0"	4,444#	RAIL SUPPORT
5,000	96"	15'-0"	6,031#	SADDLE
6,000	96"	17'-0"	6,650#	SADDLE
8,000	96"	22'-0"	7,932#	SADDLE
10,000	96"	27'-0"	9,434#	SADDLE
12,000	96"	32'-0"	10,795#	SADDLE
15,000	108"	32'-0"	12,365#	SADDLE
20,000	120"	35'-0"	15,833#	SADDLE
25,000	132"	36'-0"	18,043#	SADDLE
30,000	144"	36'-0"	20,883#	SADDLE
40,000	144"	48'-0"	35,904#	SADDLE
50,000	144"	60'-0"	42,651#	SADDLE

GENERAL NOTES

1. For storage of fuels and lubricating oils. All tanks are UL 142 listed and labeled.
2. Tanks are for stationary storage only. Tanks are NOT intended for skidding, pulling or portable storage.
3. All dimensions are nominal and weights are approximate.
4. Openings along tank top centerline:
 - a: Four (4) Female NPT
 - b: One (1) Emergency Vent
 - c: One (1) Manway (5,000 gallon capacity and larger)
5. Openings on one end near bottom:
 - a: One (1) Female NPT
6. Openings along tank bottom centerline:
 - a: One (1) Female NPT
7. Exterior surfaces are power tool cleaned, primed and finish painted white enamel.
8. Interior coatings are available upon request.