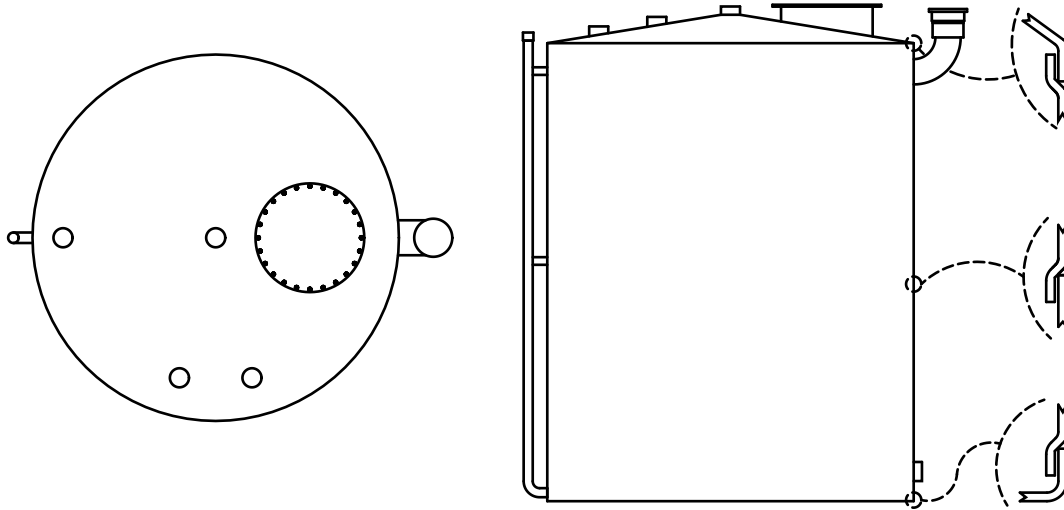


# ABOVEGROUND VERTICAL DUAL WALL TANK



GALLONS	DIAMETER	LENGTH	WEIGHT
500	46"	6'-0"	1,134#
1,000	64"	6'-0"	1,358#
2,000	72"	10'-0"	3,486#
3,000	96"	8'-0"	4,297#
4,000	96"	11'-0"	5,273#
5,000	96"	15'-0"	6,768#
6,000	96"	17'-0"	7,436#
8,000	144"	10'-0"	8,491#
10,000	144"	12'-0"	9,466#
12,000	144"	15'-0"	10,981#
15,000	144"	18'-0"	12,398#
18,000	144"	22'-0"	14,401#
20,000	144"	24'-0"	15,517#
25,000	168"	22'-0"	17,589#
30,000	168"	27'-0"	21,073#
40,000	168"	35'-0"	26,117#
50,000	168"	44'-0"	32,475#
57,000	168"	50'-0"	36,831#

## GENERAL NOTES

1. For storage of fuels and lubricating oils. All tanks are UL 142 listed and labeled.
2. Tanks are for stationary storage only.
3. All dimensions are nominal and weights are approximate. Other capacities/dimensions available upon request.
4. Openings on tank top:
  - a: Four (4) Female NPT
  - b: One (1) Emergency Vent
  - c: One (1) Manway (5,000 gallon capacity and larger)
5. Openings on tank shell:
  - a: Three (3) Female NPT (primary)
  - a: One (1) Interstitial Monitor
  - a: One (1) Emergency Vent
6. Exterior surfaces are power tool cleaned, primed and finish painted white enamel.
7. Interior coatings are available upon request.